

ACT SF SERIES MODEL NO. IDENTIFICATION

ACT - SFX - X - XXX - X - X - X

FIELD FLUSH
A = AUTO
B = MANUAL

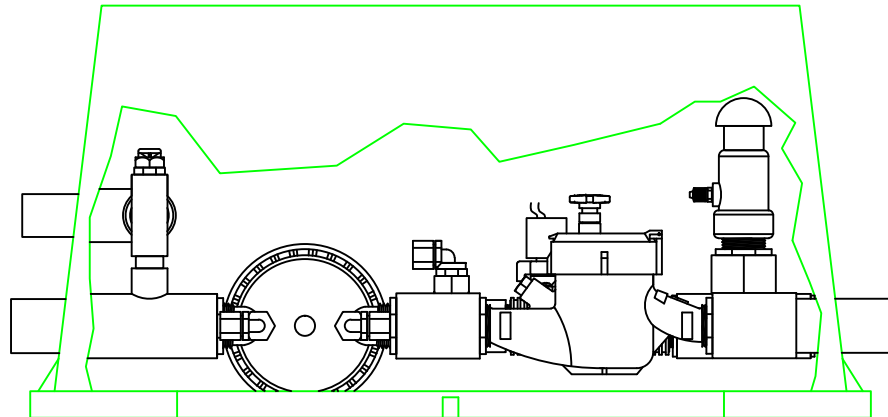
CAPACITY
A = 1" STANDARD
B = 1" SUPER
C = 2" SUPER

FILTRATION
130 = 130 MICRON
100 = 100 MICRON
055 = 55 MICRON
025 = 25 MICRON

FLOWMETER
A = NONE
B = STANDARD
C = FEEDBACK

FIELD FLOW CNTRL
A = NONE
B = REGULATED

ENCLOSURE
1 = JUMBO - GRN
2 = JUMBO - PRL
3 = RR-20" - GRN
4 = RR-24" - GRN
5 = RR/T-20" - GRN
6 = RR/T-24" - GRN
7 = RR - NONE
8 = STANDARD - GRN
9 = VAULT - GRN



DRAWN BY SMS	APPROVED BY JFP	DATE 07/10/08
-----------------	--------------------	------------------

PRODUCTION DRAWING
ACT SF SERIES SYSTEM ORDERING DESIGNATIONS


JNM TECHNOLOGIES
 WATER RESOURCE SOLUTIONS
 1401-B Creek Circle
 BRYAN, TX 77807
 979.779.6500
 FAX.779.6505
jnm@jnmtechnologies.com

SCALE
NTS

TOLERANCES
UNLESS NOTED

FRACTIONS	±	1/32
X.XXX	±	.005
X.XX	±	.010
XX	±	.015
ANLGES	±	1/2"