

# ACT

## WATER FILTRATION SYSTEMS™

### *Advanced Cleaning Technology*



### **ACT 100S Vault Enclosure for Wastewater Drip Dispersal**

#### **Product Advantages**

- Self-cleaning filter for low flow applications
- Corrosion-free plastic filter and manifold
- Above ground or buried installation on self supporting base
- Freeze protection available
- Uses proven **RING DISC FILTRATION TECHNOLOGY**.
- Filtration level easily changed by replacing disc rings with desired mesh size.
- Wrap around compact design
- Uses internal water supply for backflush
- Low back flushing flow rates (12-15 gpm)
- Up to three internally controlled irrigation zones

#### **Applications**

- Ideally suited for Residential, Light Industrial and Commercial Subsurface Drip Dispersal of Treated Effluent

#### **Water Sources**

- Primary and secondary treated domestic strength wastewater

## Specifications

Inlet: 1 ¼"  
 Outlet: 1"  
 Flush Return: 1"  
 Maximum Operating Pressure: 100 psi  
 Minimum Pressure for Back flush: 40 psi  
 Minimum Flow for Back flush: 12 GPM

ACT DISTRIBUTOR:  
 JNM TECHNOLOGIES, INC.  
 PO Box 5667  
 Bryan, TX 77805-5667  
 979-779-6500  
 979-779-6505 fax  
 jnm@jnmtechnologies.com

## Materials of Construction

### **Valves:**

Nuts, bolts and washers: 304 Stainless Steel  
 Valve Body: Glass Reinforced Polyamide  
 Spring: Stainless Steel AISI 302  
 Diaphragm: Natural Rubber  
 Solenoids: 24 VAC (other voltages available upon request)

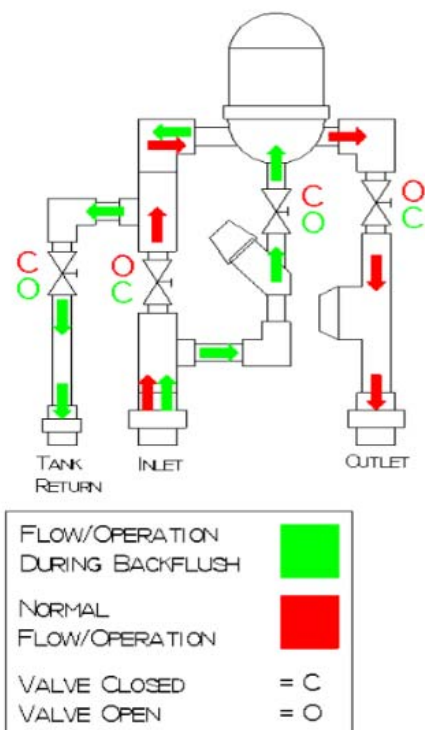
### **Filter:**

Modified 1" Standard Manual Filter  
 Filter Body and Disc Spine: Reinforced Polyamide, PVC and Polycarbonate  
 Disc Rings: Polypropylene and Polyethylene (upon request)  
 O-Rings: EPDM Rubber

### **Options:**

Pulsed Reed Switch output Flowmeter  
 Manual or Automatic Field Flush  
 Freeze Protection

### Flow Diagram



### Filter Pressure Losses

