

ACT

WATER FILTRATION SYSTEMS™

Advanced Cleaning Technology



ACT WFS 2" X 3 with bypass

Product Advantages

- Self-cleaning filter.
- Corrosion-free plastic filter, manifold, and stand.
- Uses proven **RING DISC FILTRATION TECHNOLOGY**.
- Filtration level easily changed by replacing disc rings with desired mesh size.
- Wrap around compact design ready for immediate hookup.
- Requires low back flushing flow rates (35 gpm).

Applications

- Ideally suited for Residential, Light Industrial and Commercial Use
 - Wastewater treatment and reuse
 - Potable and process water treatment systems
 - HVAC
- Greenhouse and Nursery irrigation
 - Mister systems
 - Micro sprinklers and drippers
- Landscapes
 - Micro-irrigation in isolated landscaped settings
 - Subsurface drip irrigation of turf grass areas
 - Tree and shrub systems

Water Sources

- City water supplies
- Well water
- Surface water
- Rainwater & Stormwater
- Primary and secondary treated domestic strength wastewater

Available Units

ACT WFS 2X2, 2X3

Specifications

Inlet: 2", 3"

Outlet: 2", 3"

Flush Return: 2"

Maximum Operating Pressure: 100 psi

Minimum Pressure for Back flush: 40 psi

Minimum Flow for Back flush: 35 GPM

Materials of Construction

Valves:

Nuts, bolts and washers: 304 Stainless Steel

Valve Body: Glass Reinforced Polyamide

Spring: Stainless Steel AISI 302

Diaphragm: Natural Rubber

Solenoids: 24 VAC (other voltages available upon request)

Filter:

2" Back Flushing Filters

Filter Body and Disc Spine: Reinforced Polyamide, PVC and Polycarbonate

Disc Rings: Polypropylene and Polyethylene (upon request)

O-Rings: EPDM Rubber

ACT DISTRIBUTOR:

JNM TECHNOLOGIES, INC.

PO Box 5667

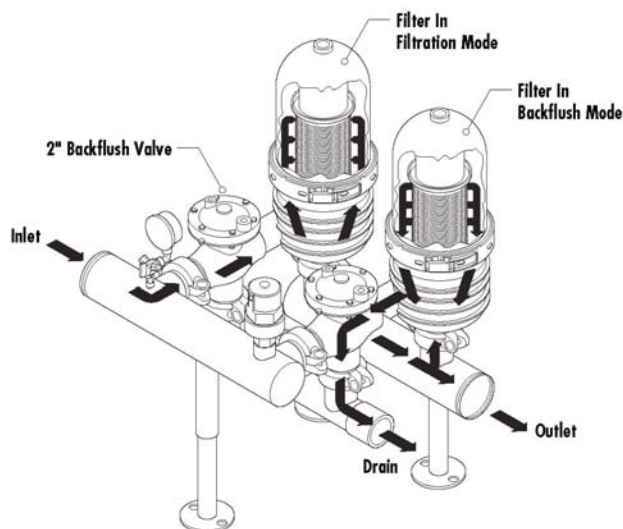
Bryan, TX 77805-5667

979-779-6500

979-779-6505 fax

jnm@jnmtechnologies.com

Flow Diagram



Filter Pressure Losses

