

ACT

WATER FILTRATION SYSTEMS™

Advanced Cleaning Technology



ACT C200S



ACT C400S

Product Advantages

- Self-cleaning filter for low flow applications (1 TO 60 GPM).
- Corrosion-free plastic filter, manifold, and stand.
- Uses proven **RING DISC FILTRATION TECHNOLOGY**.
- Filtration level easily changed by replacing disc rings with desired mesh size.
- Wrap around compact design ready for immediate hookup.
- Capable of using internal and external sources of back flush water.
- Requires low back flushing flow rates (12-15 gpm).

Applications

- Ideally suited for Residential, Light Industrial and Commercial Use
 - Wastewater treatment and reuse
 - Potable and process water treatment systems
 - HVAC
- Greenhouse and Nursery irrigation
 - Mister systems
 - Micro sprinklers and drippers
- Landscapes
 - Micro-irrigation in isolated landscaped settings
 - Subsurface drip irrigation of turf grass areas
 - Tree and shrub systems

Water Sources

- City water supplies
- Well water
- Surface water
- Primary and secondary treated domestic strength wastewater

Available Units

ACT C200, C300 and C400

Specifications

Inlet: 1 ¼"(ACT I), 1 ½"(ACT II, III) and 2"(ACT IV)
 Outlet: 1 ¼"(ACT I), 1 ½"(ACT II, III) and 2"(ACT IV)
 Flush Return: 1"
 Maximum Operating Pressure: 100 psi
 Minimum Pressure for Back flush: 40 psi
 Minimum Flow for Back flush: 12 GPM

ACT DISTRIBUTOR:
 JNM TECHNOLOGIES, INC.
 PO Box 5667
 Bryan, TX 77805-5667
 979-779-6500
 979-779-6505 fax
 jnm@jnmtechnologies.com

Materials of Construction

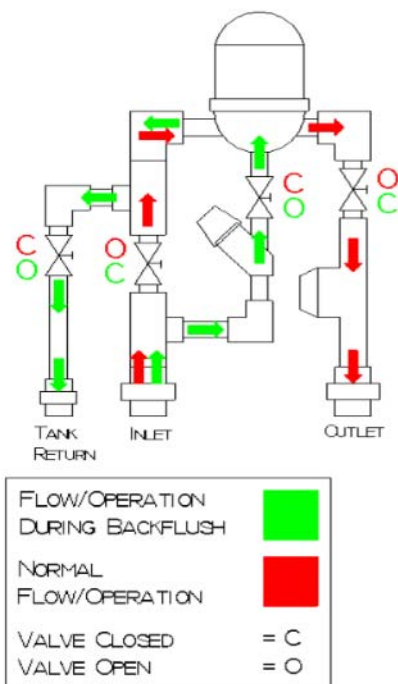
Valves:

Nuts, bolts and washers: 304 Stainless Steel
 Valve Body: Glass Reinforced Polyamide
 Spring: Stainless Steel AISI 302
 Diaphragm: Natural Rubber
 Solenoids: 24 VAC (other voltages available upon request)

Filter:

Modified 1" Standard and 1" Super Manual Filters
 Filter Body and Disc Spine: Reinforced Polyamide, PVC and Polycarbonate
 Disc Rings: Polypropylene and Polyethylene (upon request)
 O-Rings: EPDM Rubber

Flow Diagram
 ACT 100



Filter Pressure Losses

